

**\*\*\*THANKS FOR CHOOSING ZING WOODWORKS. PLEASE READ THE ENTIRE PLAN BEFORE STARTING THE PROJECT\*\*\***

This PDF document and its contents cannot be sold or used without written permission from ZING WOODWORKS LLC  
 Plans, wording and graphics Copyright owned by ZING WOODWORKS LLC



DRAWN: MN	DATE 3/3/2024	ZING WOODWORKS LLC	
CHECKED: N/A		<b>CEDAR BIRDHOUSE 3</b>	
QA N/A		SIZE D	DWG NO TITLE PAGE
UNLESS OTHERWISE SPECIFIED: DIMENSIONS ARE IN INCHES TOLERANCES: ± 0.0625 in		SCALE 1 / 0.8	PAGE A1
			REV 0

**COPYRIGHT**

This work and any wording or graphics found in these woodworking plans are for personally use only. This PDF document and its contents cannot be sold or used without written permission from Zing Woodwork LLC

Plans, wording and graphics Copyright owned by Zing Woodworks LLC

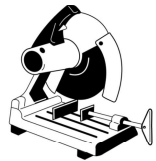
**SAFETY WARNING**

Woodworking machinery can cause injury from improper operation or from poor maintenance. Individual machines must be evaluated for specific operating hazards.

Make sure you use hand, eye and hearing protection when using power equipment & always practice safety.

Zing Woodworks LLC is not responsible for an injuries or harm caused by improper power tool use or any injuries related to building this project.

**TOOLS NEEDED**



MITER SAW



DRILL



SANDER



18 GA NAILER

**MATERIALS NEEDED**



CEDAR FENCE PICKET  
(1) 1x6 @ 6FT



STAINLESS STEEL SCREWS  
(2) #6-1" SCREWS



WOOD GLUE



1" - 18 GA NAILS



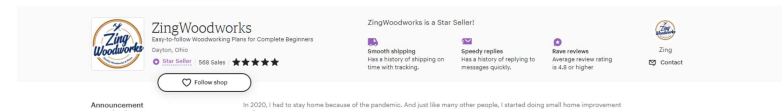
CEDAR SHINGLES



(1) TURN BUTTON

**VISIT OUR ZING WOODWORKS ETSY STORE FOR MANY MORE WOODWORKING PLANS**

[https://www.etsy.com/shop/ZingWoodworks?ref=simple-shop-header-name&listing\\_id=1365901170](https://www.etsy.com/shop/ZingWoodworks?ref=simple-shop-header-name&listing_id=1365901170)



**PLEASE FOLLOW MY YOUTUBE CHANEL FOR MORE PROJECT VIDEOS**

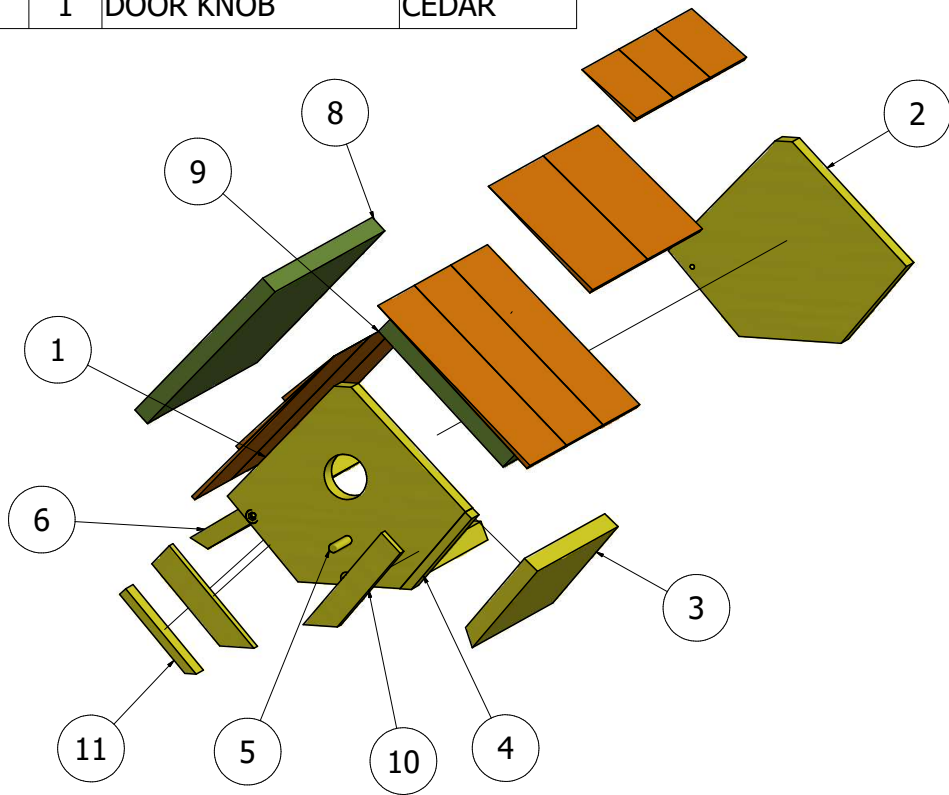
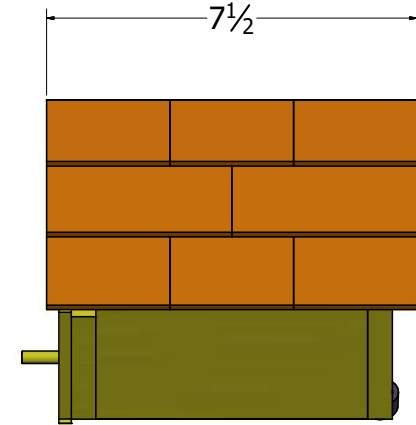
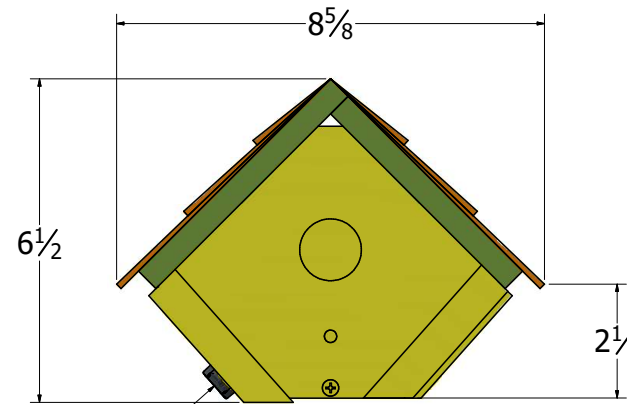
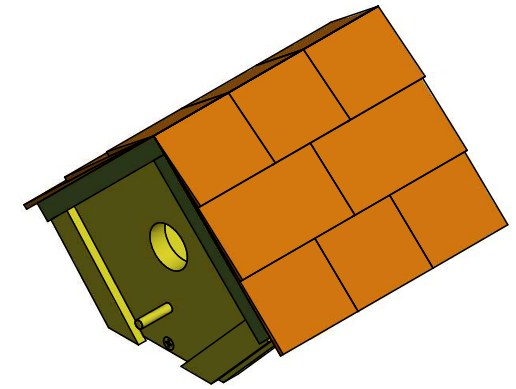
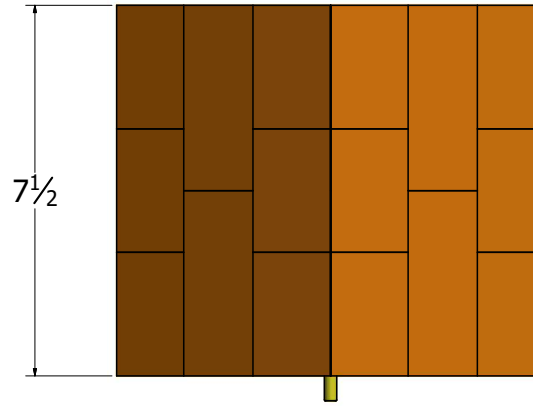


DRAWN: MN	DATE 3/3/2024	ZING WOODWORKS LLC		
CHECKED: N/A	QA N/A	<b>CEDAR BIRDHOUSE 3</b>		
UNLESS OTHERWISE SPECIFIED: DIMENSIONS ARE IN INCHES TOLERANCES: ± 0.0625 in				
SIZE D	DWG NO B-NOTES PAGE	PAGE B1	REV 0	

# CEDAR BIRD HOUSE

## PARTS LIST

ITEM	QTY	PART NUMBER	MATERIAL
1	1	FRONT	CEDAR
2	1	BACK	CEDAR
3	1	RIGHT	CEDAR
4	1	BOTTOM PLATE	CEDAR
5	1	FOOTHOLD	CEDAR
6	1	LEFT	CEDAR
7	1	TURN BUTTON	N/A
8	1	ROOF	CEDAR
9	1	RIGHT ROOF	CEDAR
10	2	TRIM - FRONT	CEDAR
11	2	TRIM - SIDE	CEDAR
12	1	DOOR KNOB	CEDAR



**\*\*\*NOTES: CEDAR FENCE PICKETS TEND TO VARY IN THICKNESS. YOU HAVE TO SLIGHTLY ADJUST THE DIMENSIONS TO FIT ALL THE PARTS TOGETHER.**

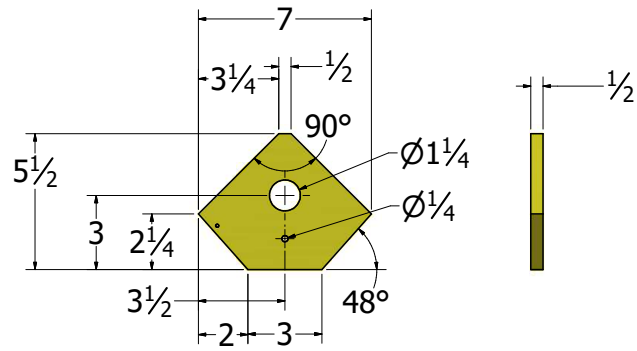
This PDF document and its contents cannot be sold or used without written permission from ZING WOODWORKS LLC  
Plans, wording and graphics Copyright owned by ZING WOODWORKS LLC



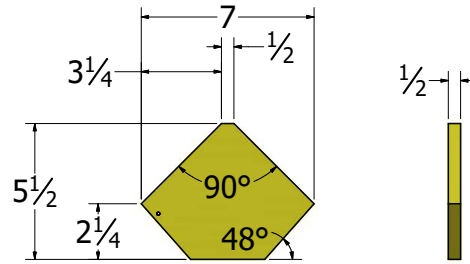
DRAWN: MN	DATE 3/3/2024
CHECKED: N/A	
QA N/A	
UNLESS OTHERWISE SPECIFIED: DIMENSIONS ARE IN INCHES TOLERANCES: ± 0.0625 in	

ZING WOODWORKS LLC			
<b>CEDAR BIRDHOUSE 3</b>			
SIZE D	DWG NO	PAGE	REV 0
SCALE : 1.5	TOTAL ASSEMBLY	C1	

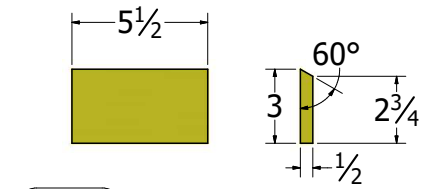
# CUTLIST



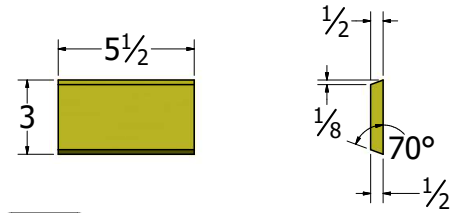
**1** FRONT MATERIAL: CEDAR  
QTY: 1



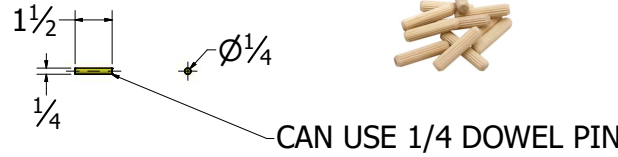
**2** BACK MATERIAL: CEDAR  
QTY: 1



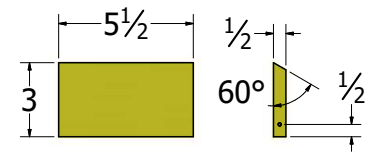
**3** RIGHT MATERIAL: CEDAR  
QTY: 1



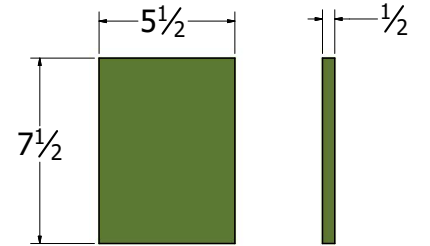
**4** BOTTOM PLATE MATERIAL: CEDAR  
QTY: 1



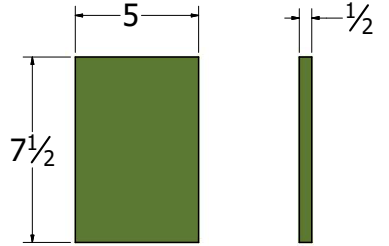
**5** FOOTHOLD MATERIAL: CEDAR  
QTY: 1



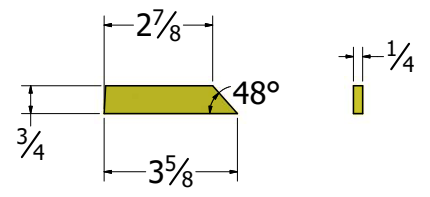
**6** LEFT MATERIAL: CEDAR  
QTY: 1



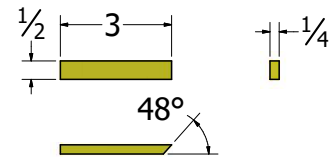
**8** ROOF MATERIAL: CEDAR  
QTY: 1



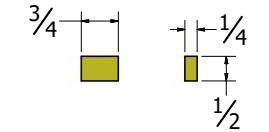
**9** RIGHT ROOF MATERIAL: CEDAR  
QTY: 1



**10** TRIM - FRONT MATERIAL: CEDAR  
QTY: 2



**11** TRIM - SIDE MATERIAL: CEDAR  
QTY: 2



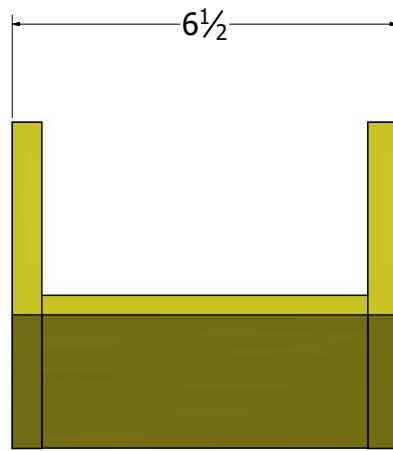
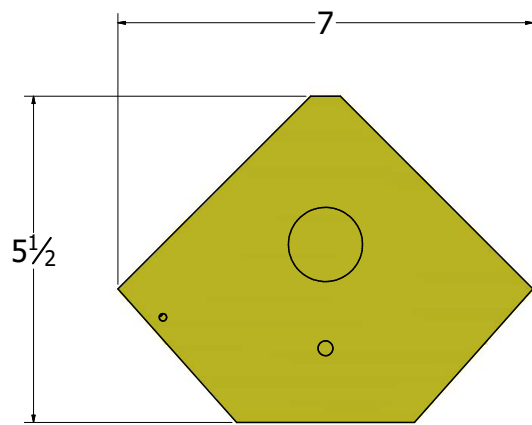
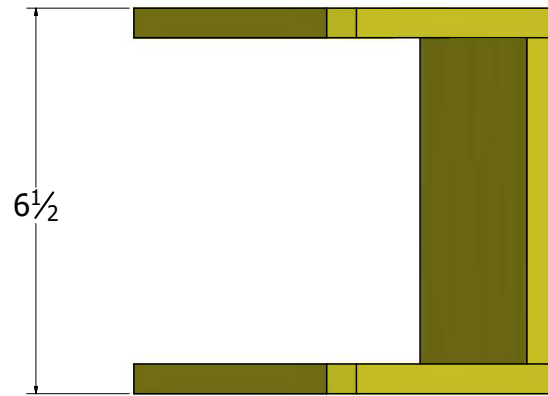
**12** DOOR KNOB MATERIAL: CEDAR  
QTY: 1

This PDF document and its contents cannot be sold or used without written permission from ZING WOODWORKS LLC  
Plans, wording and graphics Copyright owned by ZING WOODWORKS LLC

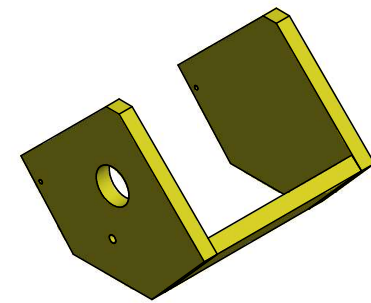


DRAWN: MN	DATE 3/3/2024	ZING WOODWORKS LLC	
CHECKED: N/A		<b>CEDAR BIRDHOUSE 3</b>	
QA: N/A			
UNLESS OTHERWISE SPECIFIED: DIMENSIONS ARE IN INCHES TOLERANCES: ± 0.0625 in		SIZE D	DWG NO TOTAL ASSEMBLY
		SCALE 1/3	PAGE C2
			REV 0

# STEP 1: ASSEMBLE FRONT, BACK, AND RIGHT SIDE



USE WOOD GLUE AND  
1" - 18 GA NAILS TO ATTACH

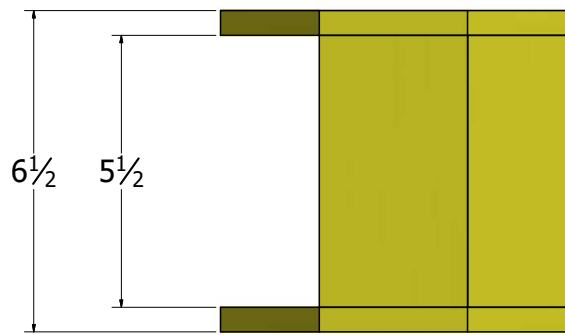
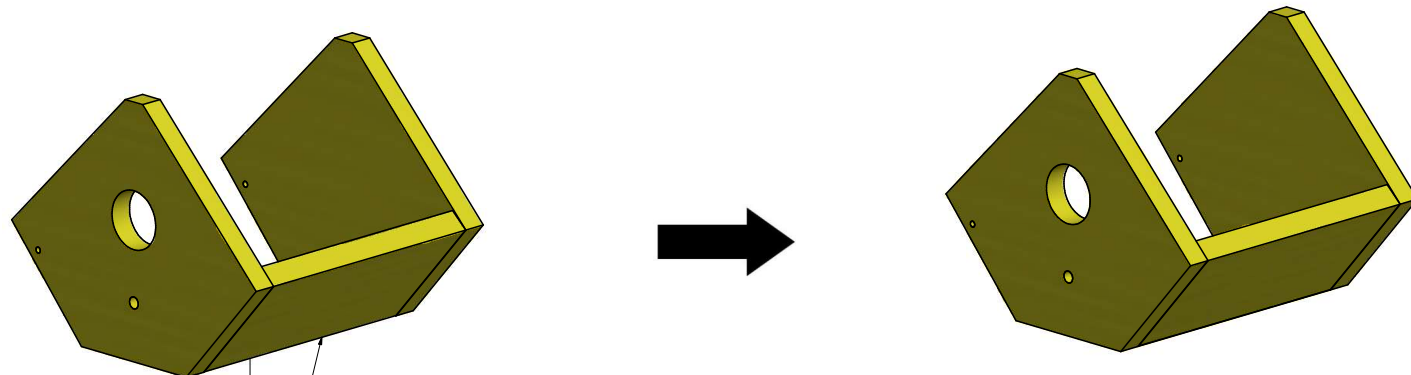
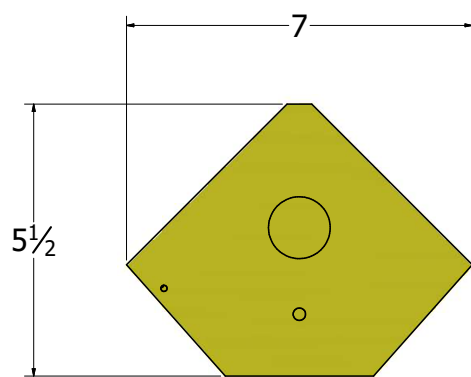


This PDF document and its contents cannot be sold or used without written permission from ZING WOODWORKS LLC  
Plans, wording and graphics Copyright owned by ZING WOODWORKS LLC



DRAWN: MN	DATE 3/3/2024	ZING WOODWORKS LLC	
CHECKED: N/A		<b>CEDAR BIRDHOUSE 3</b>	
QA N/A			
UNLESS OTHERWISE SPECIFIED: DIMENSIONS ARE IN INCHES TOLERANCES: ± 0.0625 in		SIZE D	DWG NO BUILDING STEPS
		SCALE	PAGE D1
			REV 0

# STEP 2: ATTACH BOTTOM



USE WOOD GLUE AND  
1" - 18 GA NAILS TO ATTACH



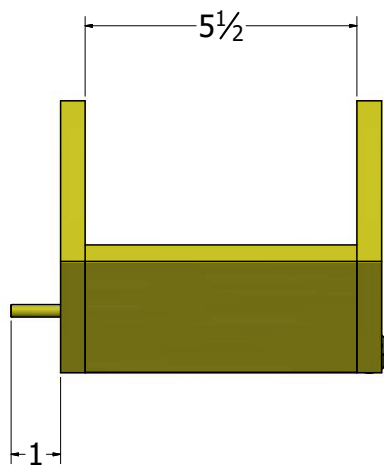
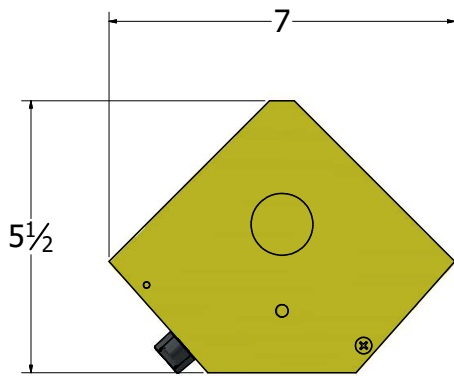
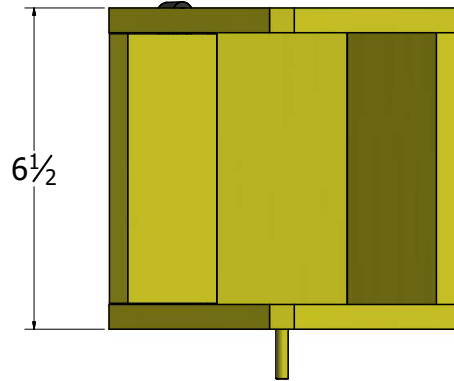
4

This PDF document and its contents cannot be sold or used without written permission from ZING WOODWORKS LLC  
Plans, wording and graphics Copyright owned by ZING WOODWORKS LLC



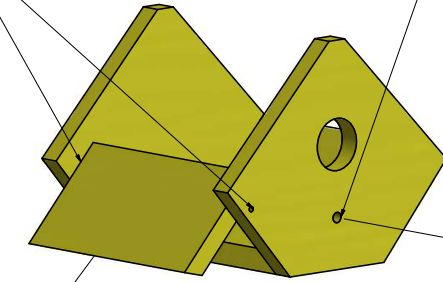
DRAWN: MN	DATE 3/3/2024	ZING WOODWORKS LLC	
CHECKED: N/A		<b>CEDAR BIRDHOUSE 3</b>	
QA N/A			
UNLESS OTHERWISE SPECIFIED: DIMENSIONS ARE IN INCHES TOLERANCES: ± 0.0625 in		SIZE D	DWG NO BUILDING STEPS
		SCALE	PAGE D2
			REV 0

# STEP 3: ASSEMBLY LEFT AND FOOTHOLD



USE #6 1" SCREWS TO ATTACH BOTH SIDES SYMMETRICALLY

ATTACH FOOTHOLD USING WOOD GLUE



5

USE TURN BUTTON TO SECURE THE DOOR



uxcell Frame Turn Button, 3/4" Plastic Indicator Shape with Screws for Hanging Pictures, Photos, Drawings and Posters, 20 Pcs (Black)

4.2 ★★★★★ 23 ratings

Best Price on Amazon

6.99

Prime Two-Day

FREE Returns

Best price

Material: Iron

Brand: uxcell

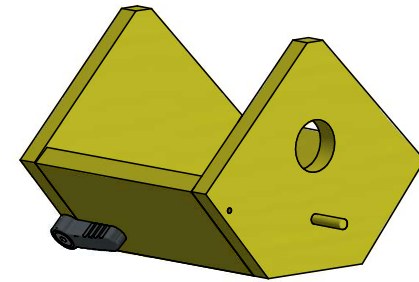
Color: Black

Installation Type: Screw-In

Fastener Type: Hook

**About this item**

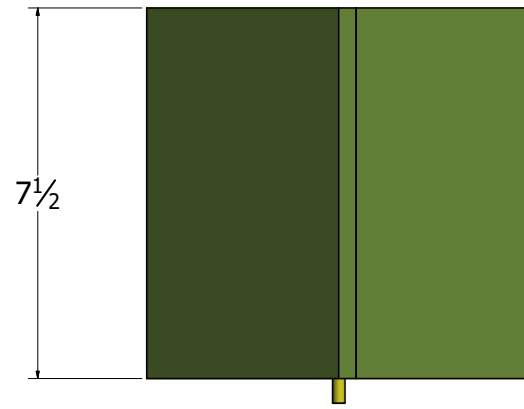
- (SIZE): 0.75" (19mm) in length, 0.81" (20mm) in width, 0.063" (1.6mm) in thickness; Mounting Hole Diameter: 2mm / 0.039"
- [APPLICATION]: Widely used for hanging pictures, photos, drawings and posters.



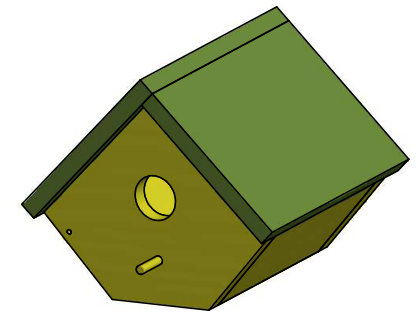
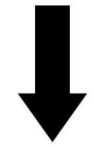
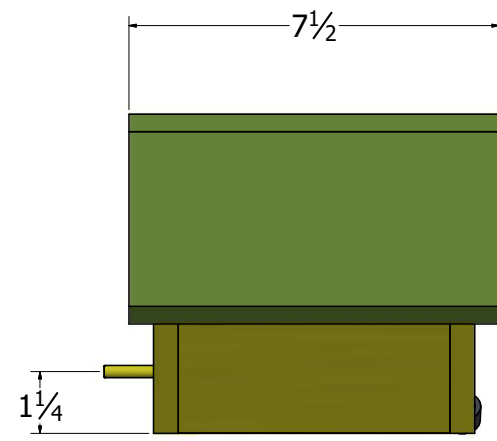
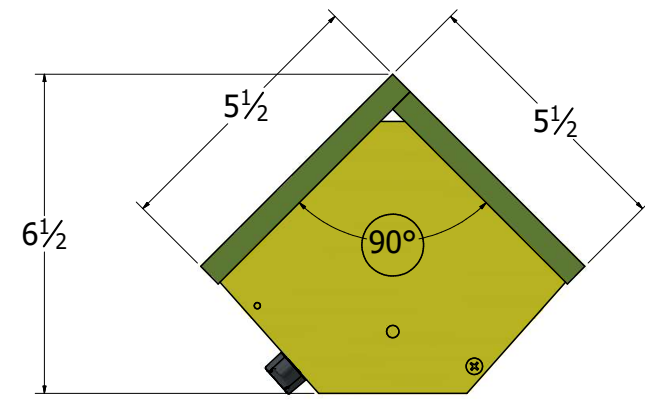
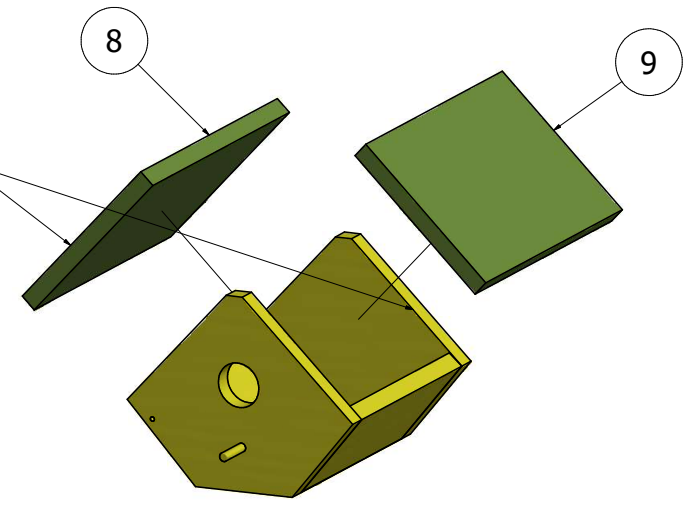
DRAWN: MN	DATE: 3/3/2024
CHECKED: N/A	
QA: N/A	
UNLESS OTHERWISE SPECIFIED: DIMENSIONS ARE IN INCHES TOLERANCES: ± 0.0625 in	

ZING WOODWORKS LLC			
<b>CEDAR BIRDHOUSE 3</b>			
SIZE: D	DWG NO: BUILDING STEPS	PAGE: D3	REV: 0
SCALE:			

# STEP 4: ATTACH THE ROOF



USE WOOD GLUE AND  
1" - 18 GA NAILS TO ATTACH

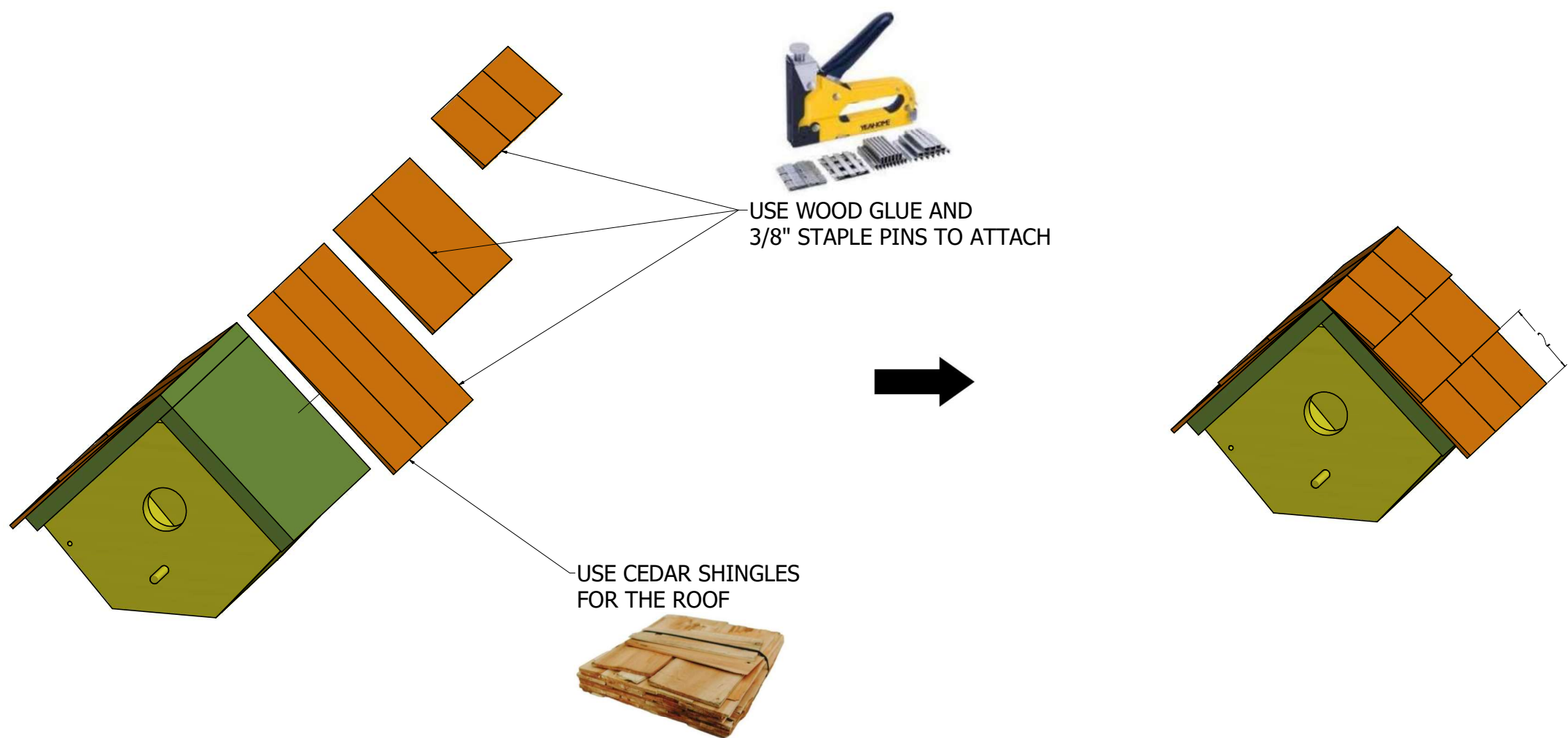


This PDF document and its contents cannot be sold or used without written permission from ZING WOODWORKS LLC  
Plans, wording and graphics Copyright owned by ZING WOODWORKS LLC



DRAWN: MN	DATE 3/3/2024	ZING WOODWORKS LLC	
CHECKED: N/A		<b>CEDAR BIRDHOUSE 3</b>	
QA N/A			
UNLESS OTHERWISE SPECIFIED: DIMENSIONS ARE IN INCHES TOLERANCES: ± 0.0625 in		SIZE D	DWG NO BUILDING STEPS
		SCALE	PAGE D4
			REV 0

# STEP 5: ATTACH ROOF SHINGLES



USE WOOD GLUE AND 3/8" STAPLE PINS TO ATTACH

USE CEDAR SHINGLES FOR THE ROOF

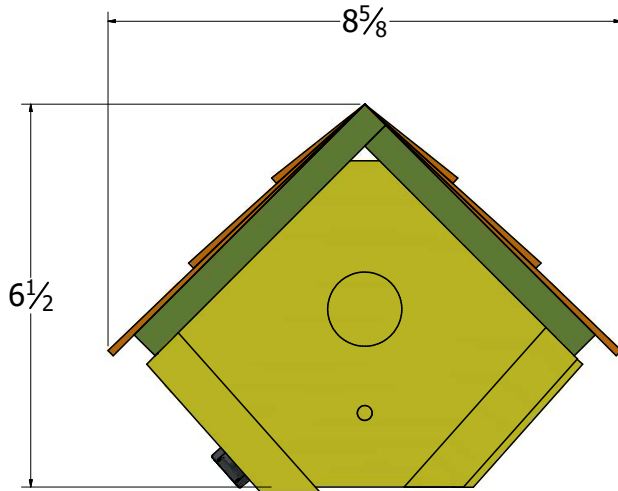
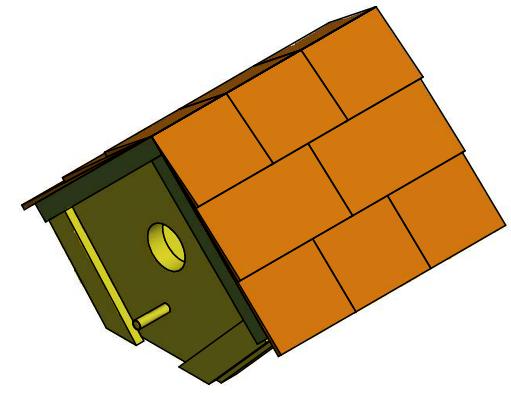
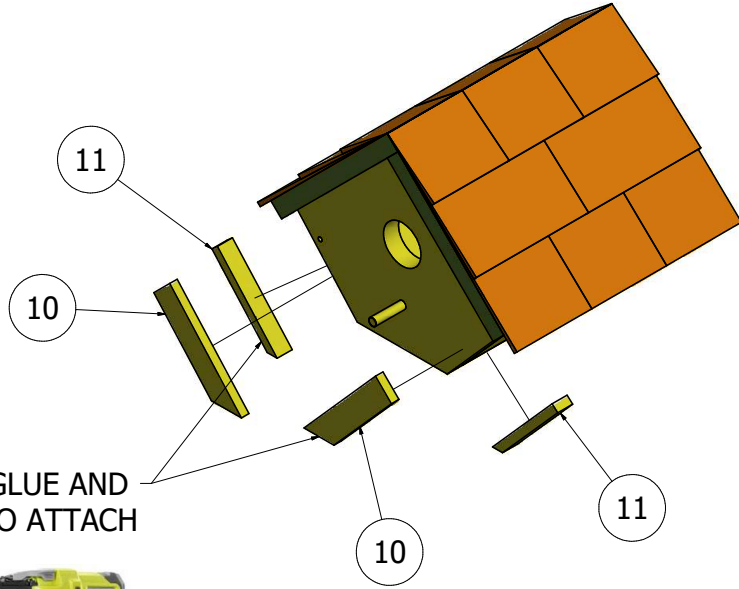
This PDF document and its contents cannot be sold or used without written permission from ZING WOODWORKS LLC  
Plans, wording and graphics Copyright owned by ZING WOODWORKS LLC



DRAWN: MN	DATE 3/3/2024	ZING WOODWORKS LLC	
CHECKED: N/A		<b>CEDAR BIRDHOUSE 3</b>	
QA N/A			
UNLESS OTHERWISE SPECIFIED: DIMENSIONS ARE IN INCHES TOLERANCES: ± 0.0625 in		SIZE D	DWG NO BUILDING STEPS
		SCALE	PAGE D5
			REV 0

# STEP 6: ATTACH DECORATIVE TRIMS

USE WOOD GLUE AND  
1" - 18 GA NAILS TO ATTACH

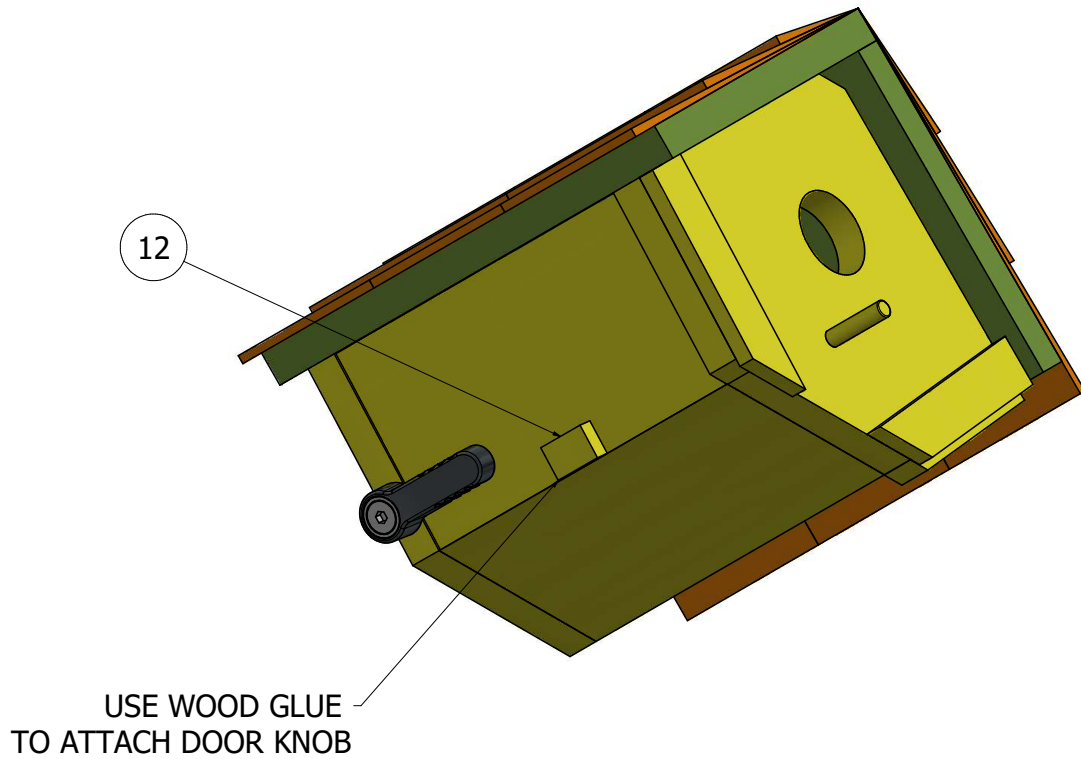


This PDF document and its contents cannot be sold or used without written permission from ZING WOODWORKS LLC  
Plans, wording and graphics Copyright owned by ZING WOODWORKS LLC



DRAWN: MN	DATE 3/3/2024	ZING WOODWORKS LLC	
CHECKED: N/A		<b>CEDAR BIRDHOUSE 3</b>	
QA N/A			
UNLESS OTHERWISE SPECIFIED: DIMENSIONS ARE IN INCHES TOLERANCES: ± 0.0625 in		SIZE D	DWG NO BUILDING STEPS
		SCALE	PAGE D6
			REV 0

# STEP 7: ATTACH DOOR KNOB



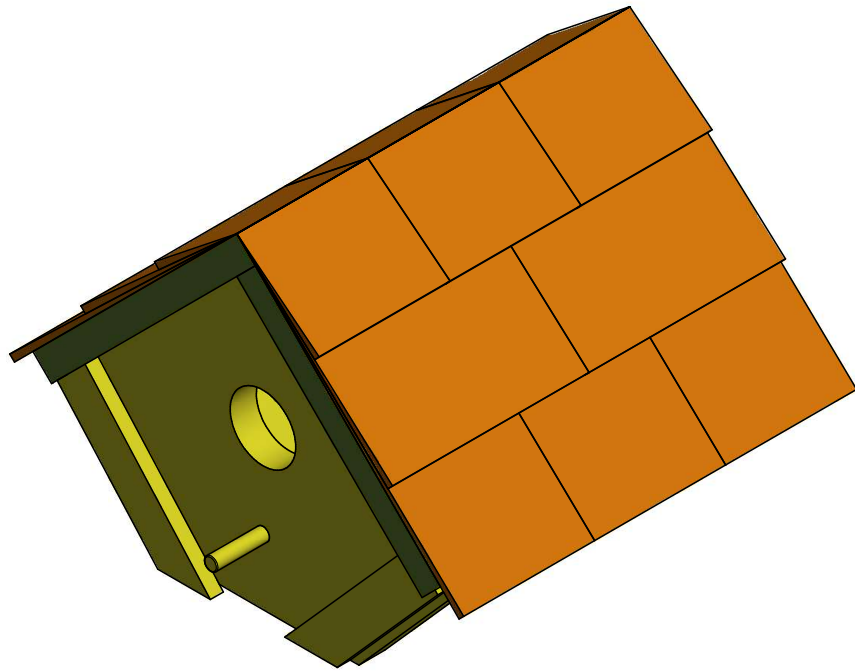
This PDF document and its contents cannot be sold or used without written permission from ZING WOODWORKS LLC  
Plans, wording and graphics Copyright owned by ZING WOODWORKS LLC



DRAWN: MN	DATE 3/3/2024
CHECKED: N/A	
QA N/A	
UNLESS OTHERWISE SPECIFIED: DIMENSIONS ARE IN INCHES TOLERANCES: ± 0.0625 in	

ZING WOODWORKS LLC		
<b>CEDAR BIRDHOUSE 3</b>		
SIZE D	DWG NO BUILDING STEPS	PAGE D7
SCALE		REV 0

**FINISHED CEDAR BIRD HOUSE. STAIN WITH COLOR OF YOUR CHOICE**



This PDF document and its contents cannot be sold or used without written permission from ZING WOODWORKS LLC  
Plans, wording and graphics Copyright owned by ZING WOODWORKS LLC



DRAWN: MN	DATE 3/3/2024	ZING WOODWORKS LLC	
CHECKED: N/A		<b>CEDAR BIRDHOUSE 3</b>	
QA N/A		SIZE D	DWG NO BUILDING STEPS
UNLESS OTHERWISE SPECIFIED: DIMENSIONS ARE IN INCHES TOLERANCES: ± 0.0625 in		SCALE	PAGE D8
			REV 0

